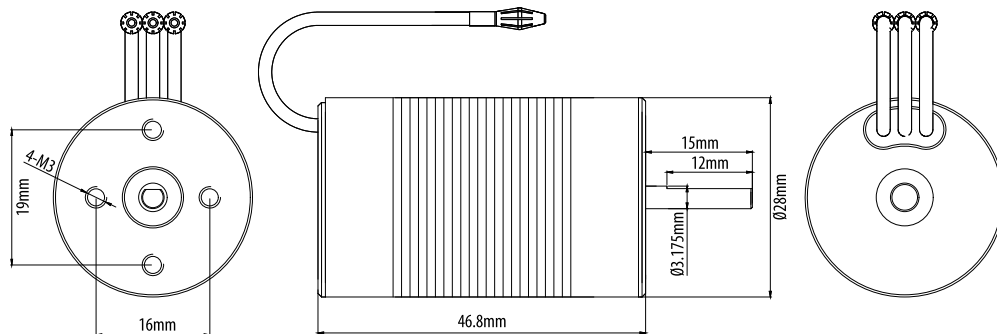


ROCKET

- 4 Pole 12 Slot Hi-torque Motor Design
- CNC Machined 6061 T6 Billet Aluminum Heatsink Can
- High Purity Copper Windings Maximizes Efficiency
- High RPM ABEC5 Oversized Bearings
- Universal fit, fits all 1/12th, 1/14th brushless cars-multi-mounting system for M3 screws
- Precision balanced rotor, smoothness for best reliability and maximum RPM
- Stator - Super Thin (0.35mm) Laminations
- Removable/Replaceable Rotor
- Precision Engineered for Maximum Energy Conversion



Product	KV (RPM/Volt)	Watts	Max voltage	Max Amps	Rotor Poles	IO	Resistance	Max RPM	Length	Diameters	Weight (g)	Shaft (mm)	Length of extend shaft	Connector
2845	5900	800	<9V	88A	4	5.2A	0.0104	50000	47mm	Ø28mm	125	Ø3.175	15mm	4.0mm gold
2845	5000	800	<10V	80A	4	4.3A	0.0138	50000	47mm	Ø28mm	125	Ø3.175	15mm	4.0mm gold
2845	4370	800	<12V	66A	4	3.2A	0.0185	50000	47mm	Ø28mm	125	Ø3.175	15mm	4.0mm gold
2845	3930	800	<13V	60A	4	2.4A	0.0196	50000	47mm	Ø28mm	125	Ø3.175	15mm	4.0mm gold
2845	3800	800	<14V	57A	4	2.2A	0.0213	50000	47mm	Ø28mm	125	Ø3.175	15mm	4.0mm gold
2845	3100	800	<17V	47A	4	1.9A	0.0285	50000	47mm	Ø28mm	125	Ø3.175	15mm	4.0mm gold
2845	2800	800	<18V	45A	4	1.3A	0.0355	50000	47mm	Ø28mm	125	Ø3.175	15mm	4.0mm gold
2845	2600	800	<19V	42A	4	1.2A	0.0425	50000	47mm	Ø28mm	125	Ø3.175	15mm	4.0mm gold

