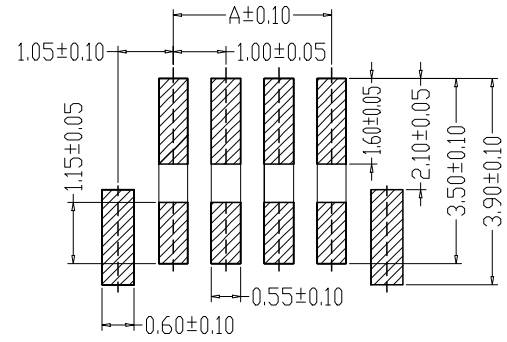
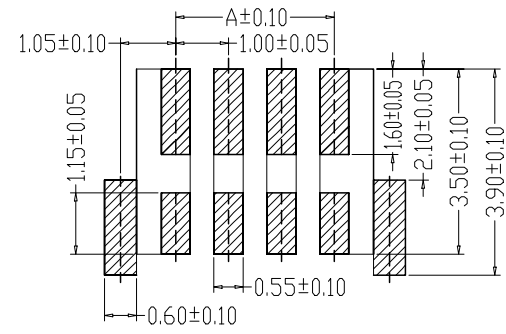
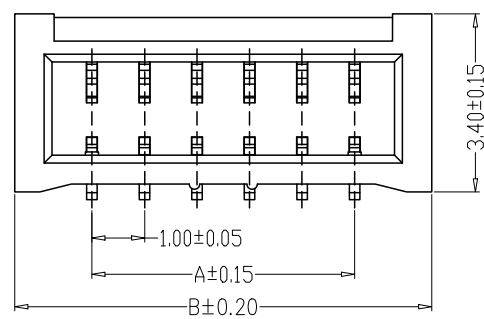
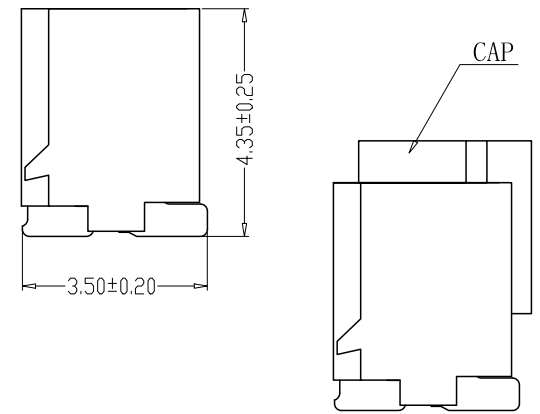
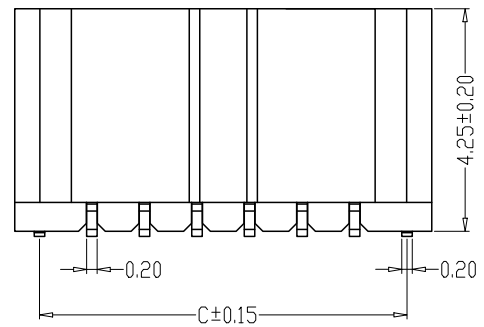


版次	变更摘要	日期
0	新产品发行	2024/7/24



SPECIFICATIONS

- Current Rating: 1A AC, DC
- Voltage Rating: 125V AC, DC
- Temperature Range: -25°C~+85°C
- Contact Resistance: 20mΩ Max
- Insulation Resistance: 100MΩ Min
- Withstanding Voltage: 500V AC/minute
- Material: Wafer PA6T, UL94V-0
PIN Phosphoric copper Tin-plated
Solder pad Phosphoric copper Tin-plated

编号	尺寸 (mm)		
	A	B	C
A1004LF-02A	1.00	4.00	3.00
A1004LF-03A	2.00	5.00	4.00
A1004LF-04A	3.00	6.00	5.00
A1004LF-05A	4.00	7.00	6.00
A1004LF-06A	5.00	8.00	7.00
A1004LF-07A	6.00	9.00	8.00
A1004LF-08A	7.00	10.00	9.00
A1004LF-09A	8.00	11.00	10.00
A1004LF-10A	9.00	12.00	11.00
A1004LF-11A	10.00	13.00	12.00
A1004LF-12A	11.00	14.00	13.00
A1004LF-20A	19.00	22.00	21.00

PCB LAYOUT B

PCB LAYOUT A



一般公差 (TOLERANCE)
X ±.50 .XX ±.10
.X ±.20 .XXX ±.05
ANGLES ±1°

ZGWD 浙江温达电子有限公司
ZHEJIANG WENDA ELECTRONICS CO., LTD

品名 (TITLE)	1.0超薄立贴带扣		制图 (DR)	anlan
料号 (DWG.NO)			校对 (CHKD)	田峰
			审核 (APPD)	黄志明
比例 (SCALE)	单位 (UNITS)	mm	张数 (SHEET)	1 OF 1
			尺寸 (SIZE)	A4
			版本 (REV)	A