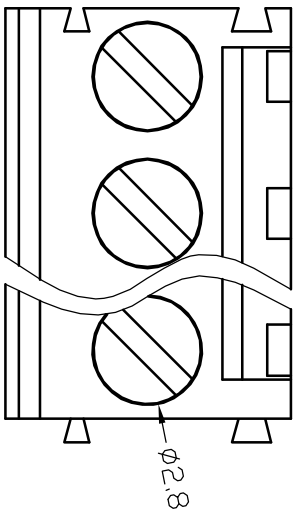
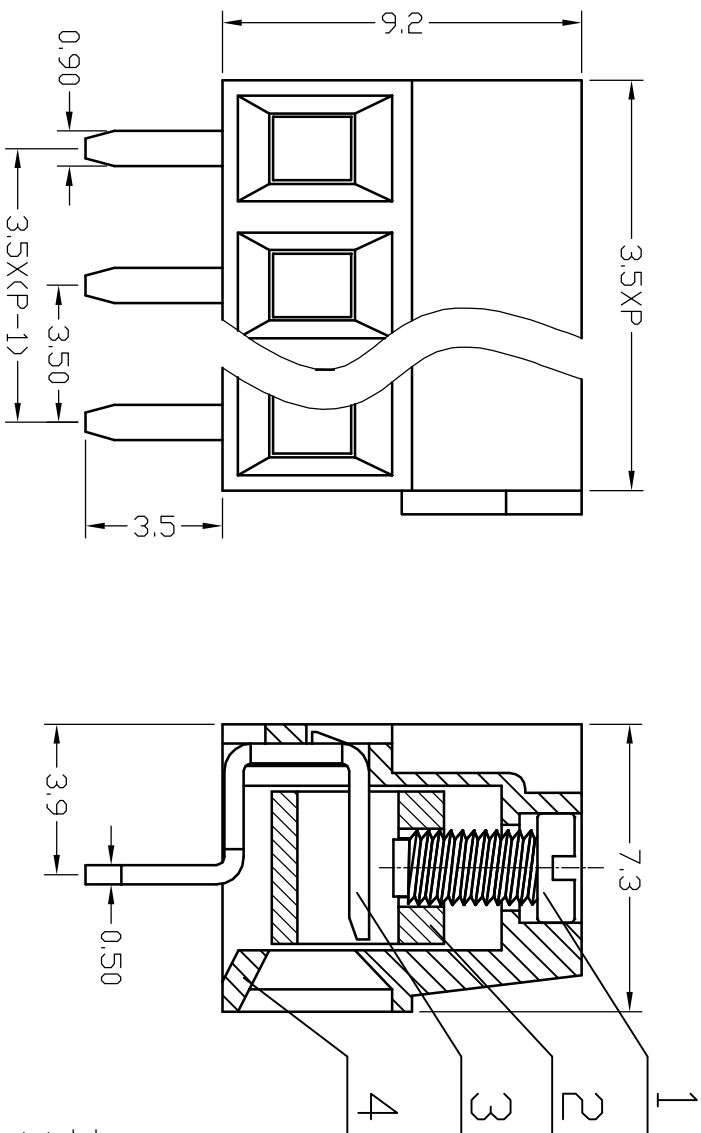


序号/Rev.No.	名称/Title	文件编号/Title No.
1	XY302 螺丝	QJ/XYT-2148101
2	XY302 铜方块	QJ/XYT-2148102
3	XY302V 端子	QJ/XYT-2148104
4	XY302 塑件	QJ/XYT-2148103



150V 10A 26-16AWG 1.0mm²
 Poles: 2P&3P-24P
 Pitch: 3.5mm (.138")

Materials

Housing: PA66 (UL 94V-0)
 Solder Pin: Brass, Tin Plated
 Wire Cage: Brass, Nickel Plated
 Screw: M2, Steel (A3), Zinc Plated
 Torque: 0.2N.m

序号/Rev.No. 更改记录/Revision note 签名/Signature 日期/Date

设计/Designed by	绘图/Drawn by	审核/Checked by	批准/Approved by	未注公差 General Tolerance
				X ±0.2 X ⁺ ±0.2 X ±0.1 X ⁺ ±0.1 XX ±0.05 XX ⁺ ±0.05 XXX ±0.01 XXX ⁺ ±0.01

新莱亚电子
 XINLAIYA ELECTRONIC CO., LTD

图名/Title	文件编号/File No.	页序/Sheet	单位/Units
XY302V-3.5 产品图	QJ/XYT-2248100		mm